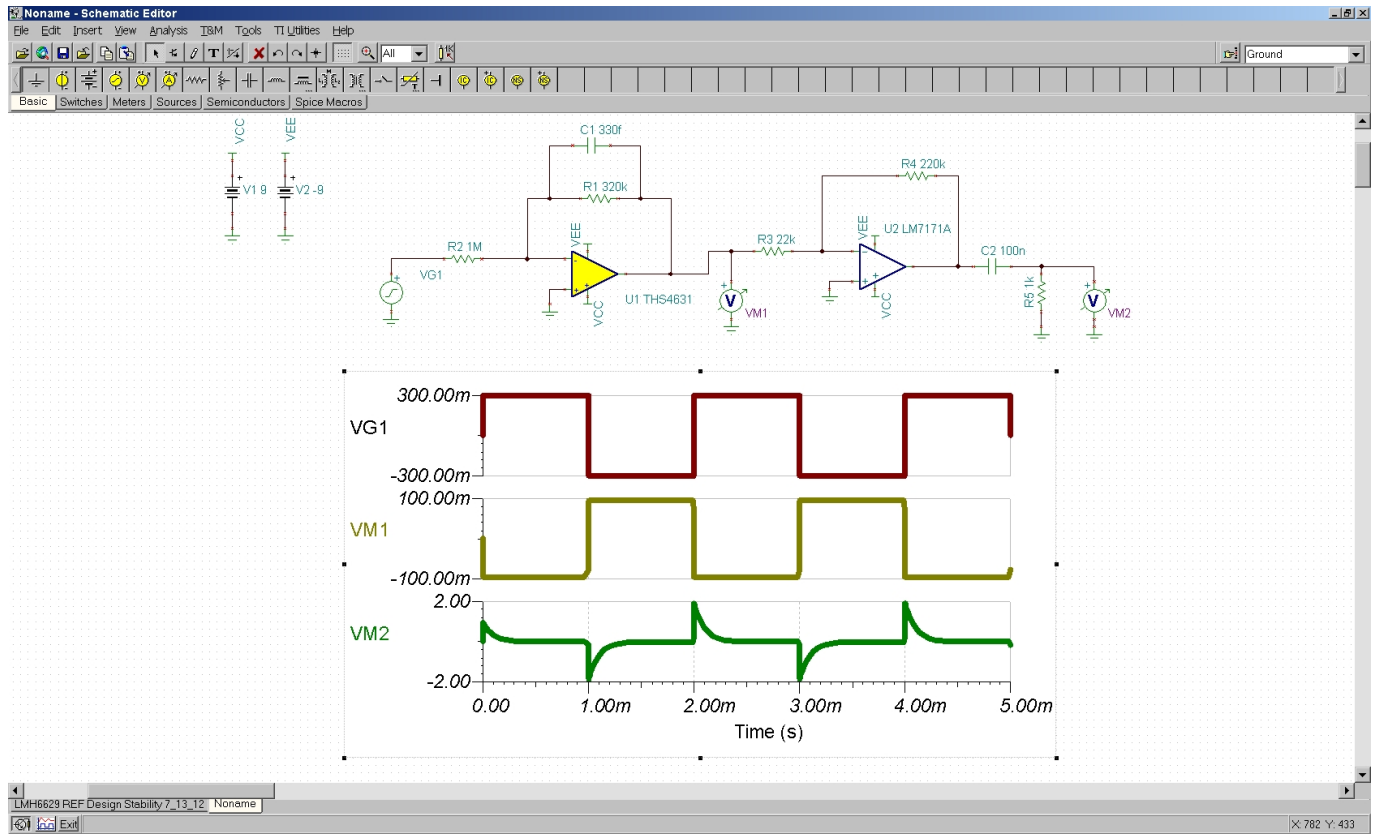


Eriyum Panikadu Novel Pdf Free Download



DOWNLOAD: <https://tinurli.com/29uj6h>



7c2bc87b77

Related links:

[download mp3 soundtrack shrek 2](#)
[Articulate Engage Serial Number Crack](#)
[Pyaar Ke Side Effects movie download with subtitles in utorrent](#)
[Johnny Mnemonic download completo di film in italiano](#)
[Download Jaane Tu... Ya Jaane Na 2 Full Movie Subtitle Indonesia Download](#)

[Brincando De Matar Monstros.pdf](#)
[Fabulas De Esopo Vicens Vives Pdf 17](#)
[xforce keygen autocad 2016 64 bit windows 10521](#)
[Puzzle Pirates Gunning Bot](#)
[opera mini 7.1 download for nokia 5233](#)